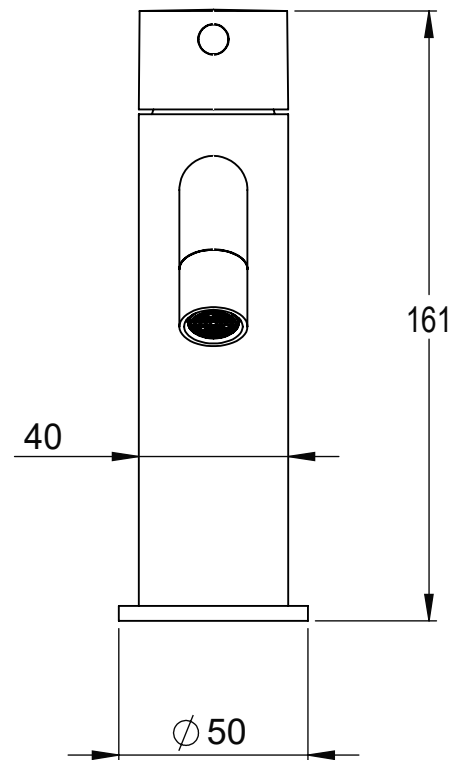
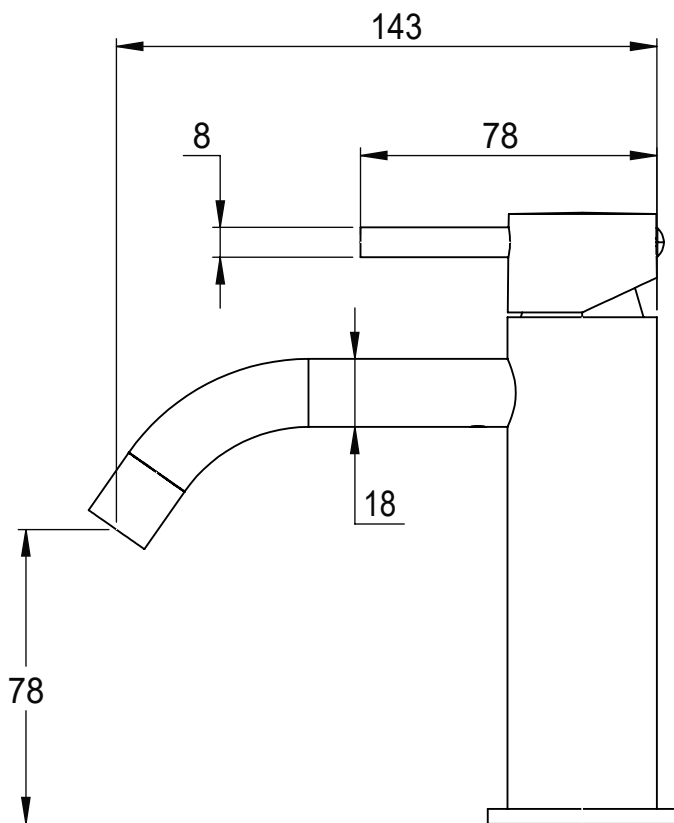


Tapwell

EVM073-Drawing



Hole dimension: $\phi 35$

Connection: G 3/8"

Metric (mm)